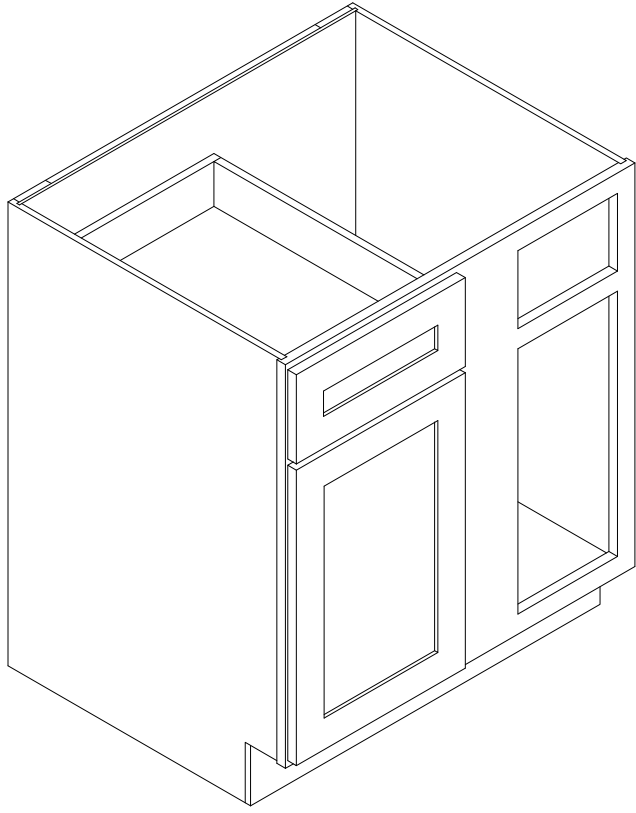
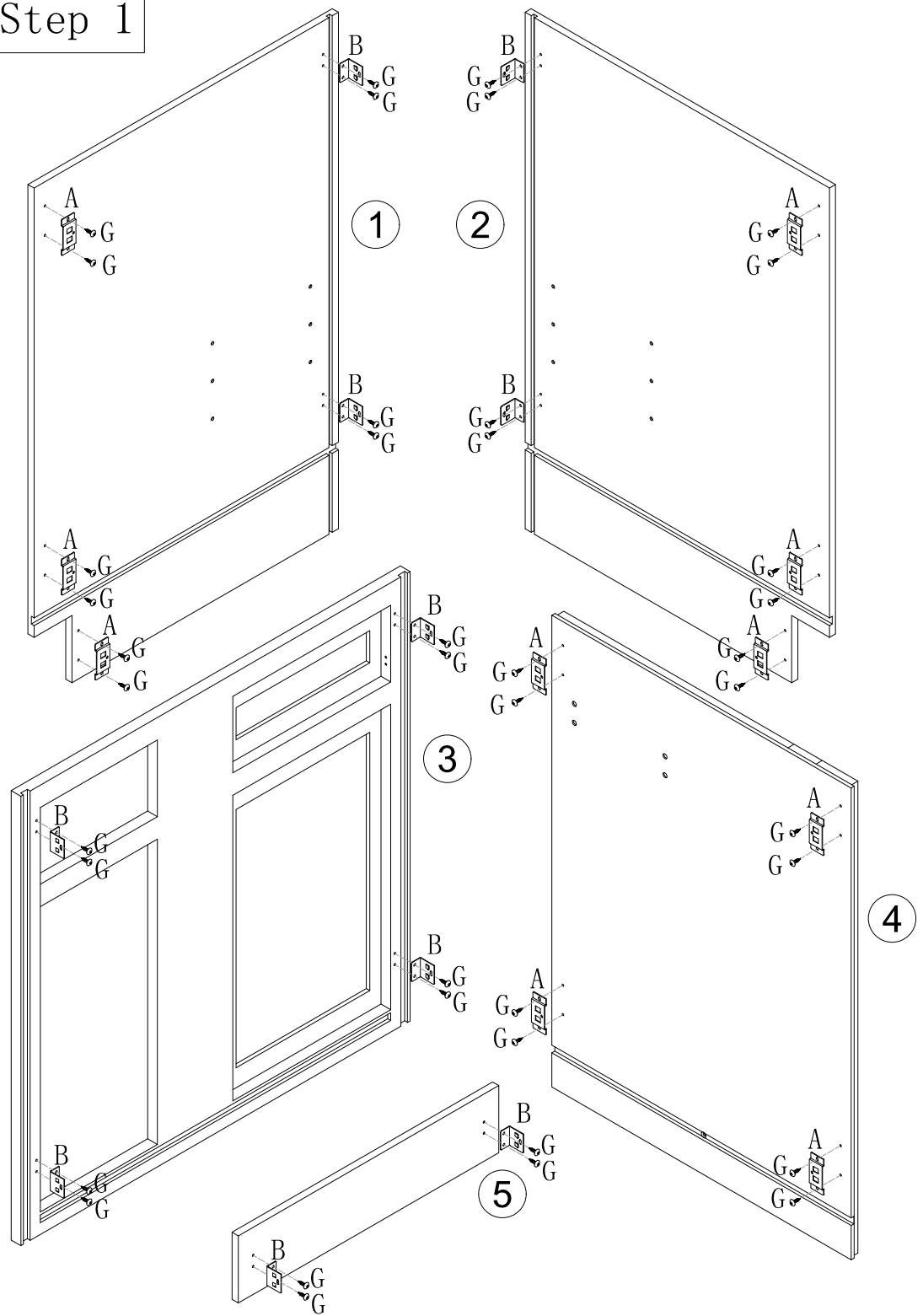


ASSEMBLY INSTRUCTIONS

BB30



Step 1

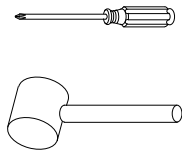


Parts list

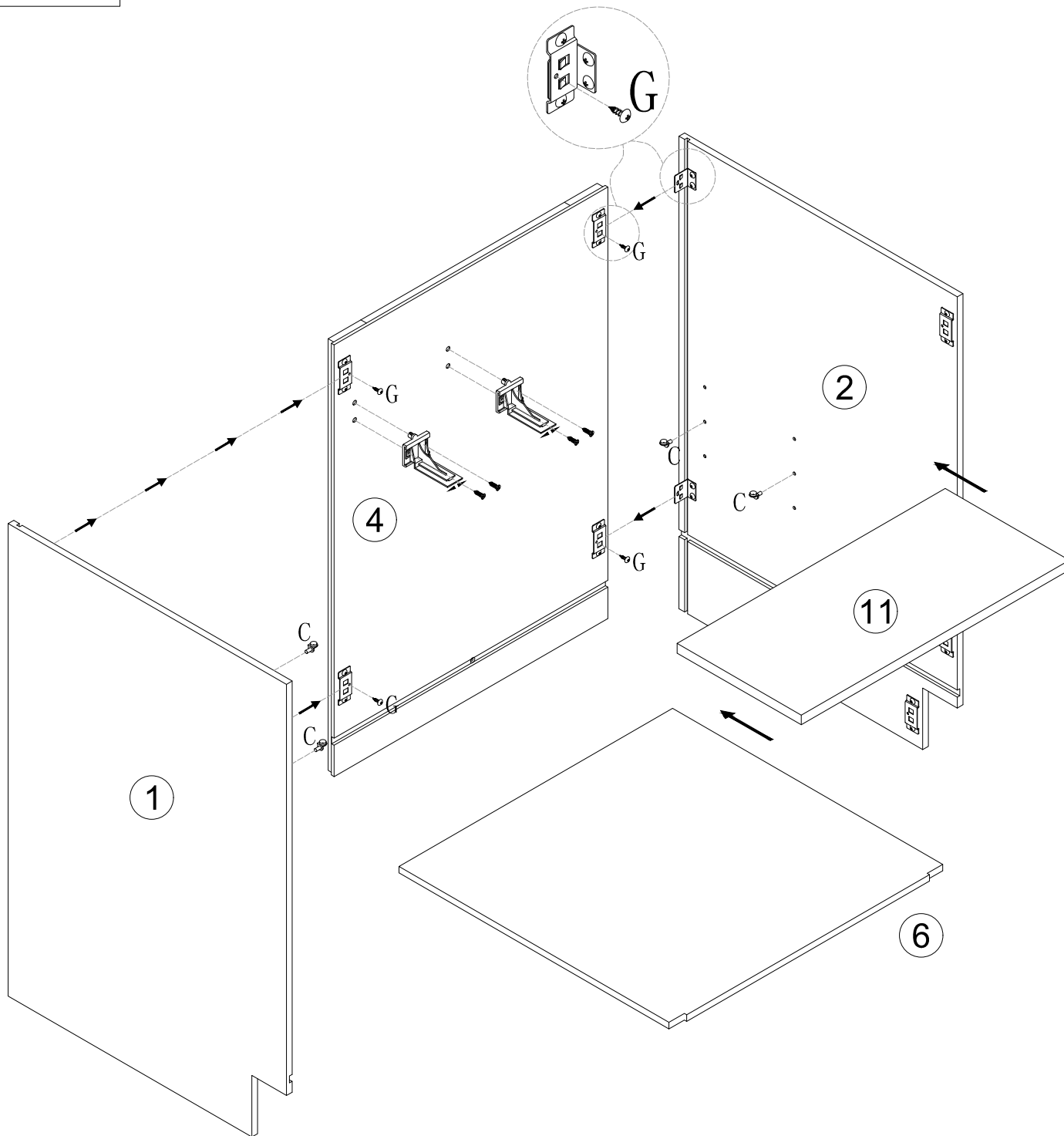
NO.	Parts	QTY
A		10
B		10
C		4
D		16
E		4

NO.	Parts	QTY
F		1
G		50
H		1

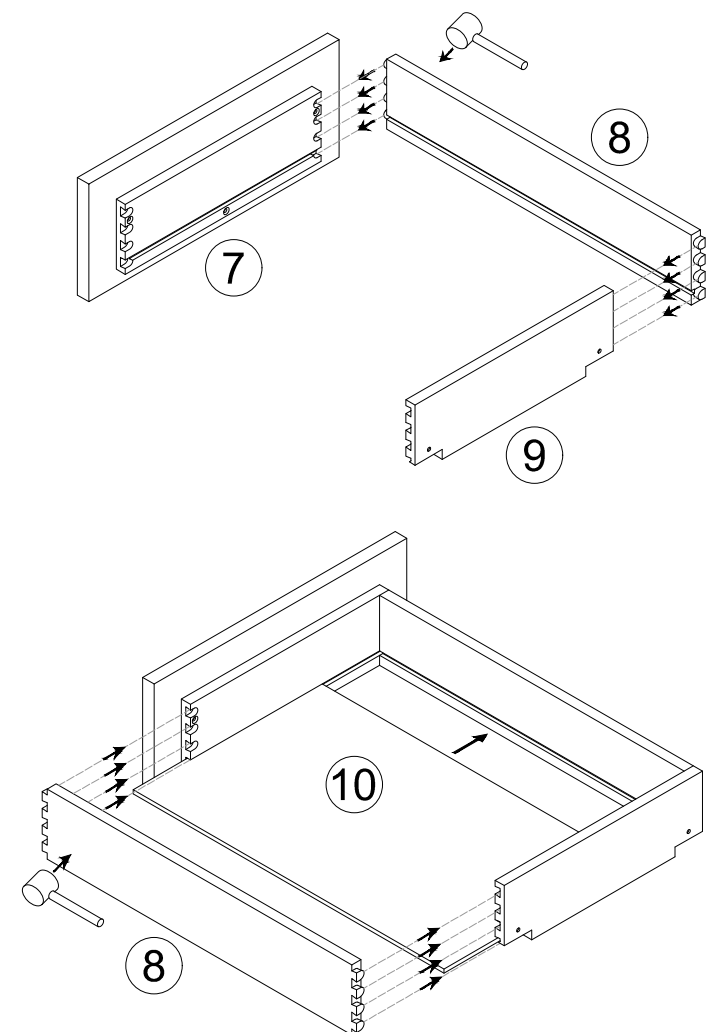
Tools
(required but not provided)



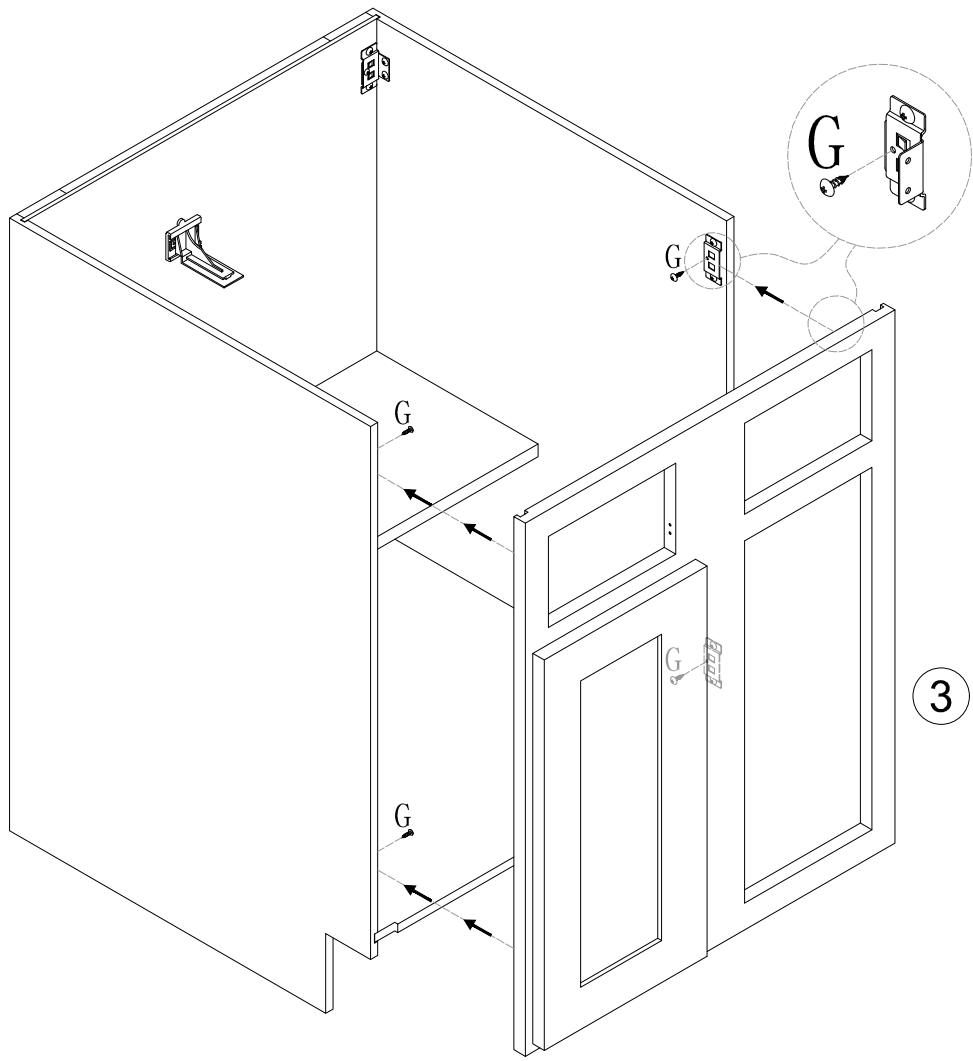
Step 2



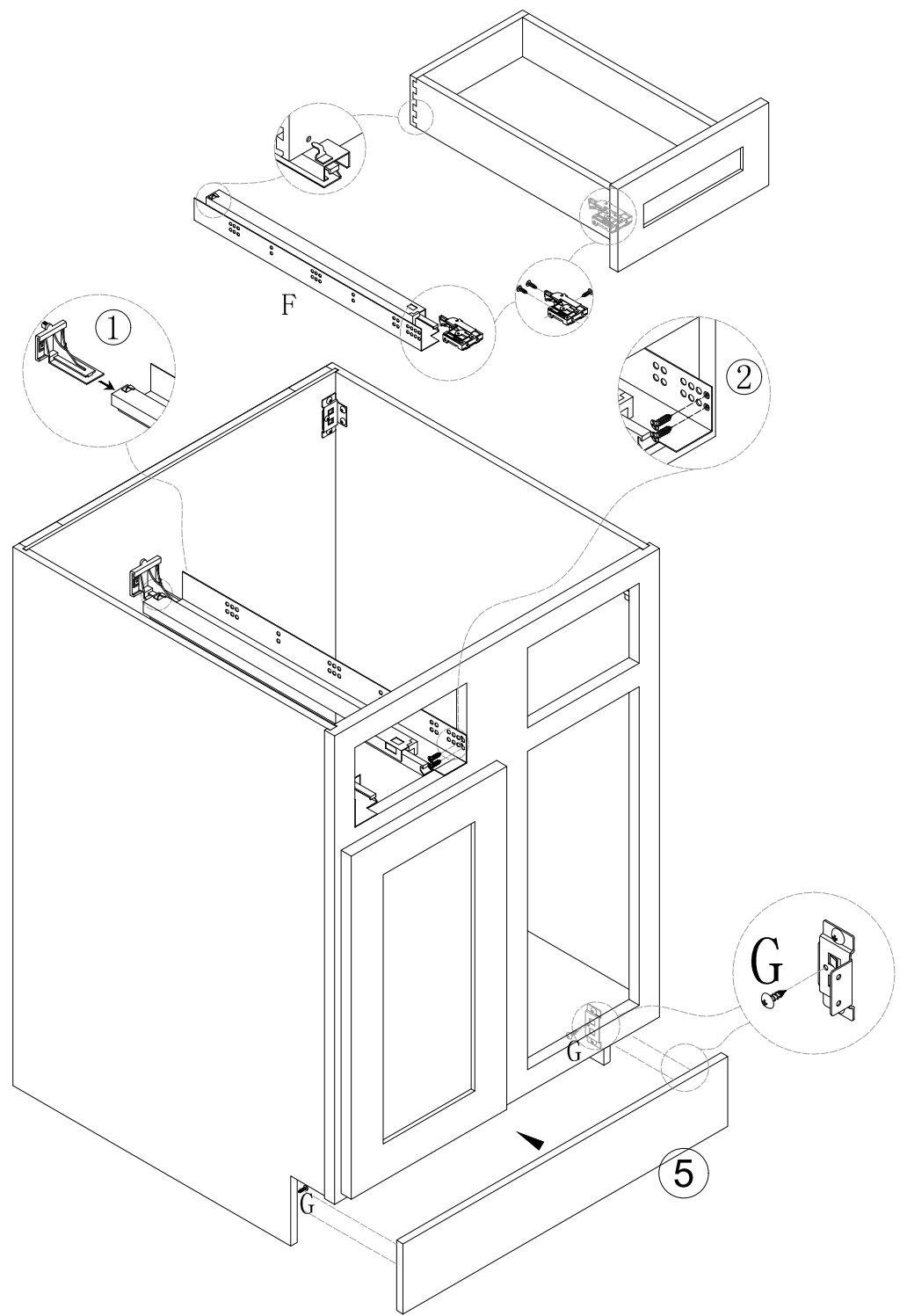
Step 3



Step 4



Step 5



Finished

